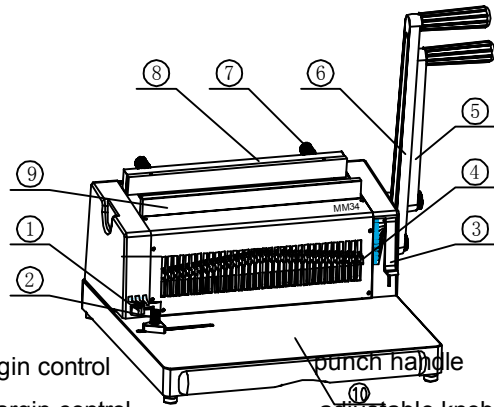
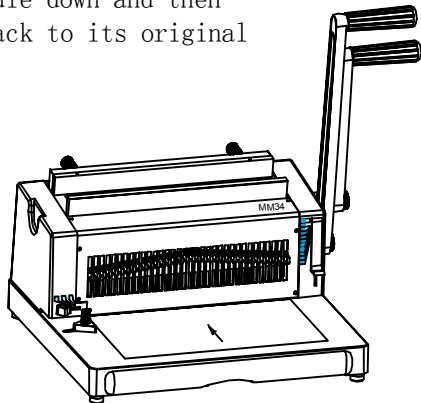


Operation manual of MM34



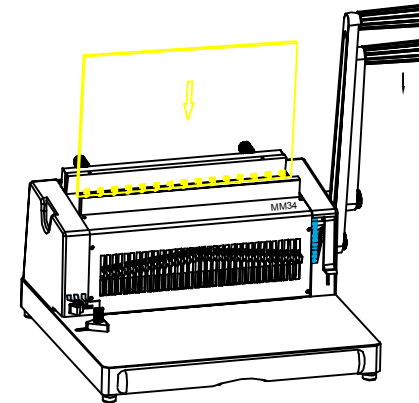
- side margin control
- punch margin control
- double-wire selector
- ① 34 die disengagement pin
- ② bind handle
- ③
- ④
- ⑤
- punch handle
- adjustable knob
- wire closing bar
- ⑥ Fixed board for clamping waster darwer
- ⑦
- ⑧
- ⑨
- ⑩

1. According to your files' size, select paper position and side margin controler, insert files, push the handle down and then release it back to its original place.



Drawing a

2. Adjust the two adjustable knobs in terms of the size of the double wire.
3. Use the bind handle to close the double wire to the requested size.(See the Drawing b)



Drawing b

Technical Guide

Description	wire binding machine
pitch	34 holes
Model	MM34
Punch thickness	25 sheets 70g
Punch plastic-cover	Less than 4 sheets(0.2mm)
Machine dimension	480X395X425mm
Weight	15.2KG