

Product instruction manual
Magnum® MM34B Binding System

MAGNUM®



Magnum MM34B has been designed to be user friendly, however we strongly recommend you take a few minutes to read through this manual to ensure correct operation.

Keep this manual safe for future reference.

Contents

Page 2 - Specifications

Page 3 - Introduction

Page 4-5 - Labelled drawing & Operation

Page 6 - Warranty and incorrect use

Specifications

	MM34B
Max. Paper size	A4
Max. Punching capacity (sheets)	15
Max. Binding capacity (sheets)	120
Overall Dimensions (mm)	400x239x340mm
Gross Machine Weight (Kg)	5.8
Warranty	1 year

Introduction

Thank you for purchasing the Magnum MM34B Binding System.

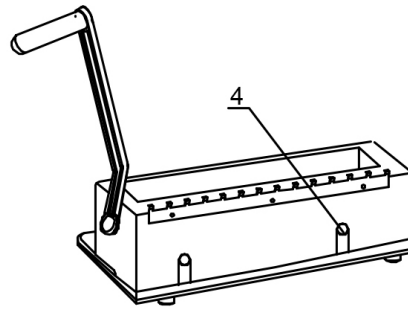
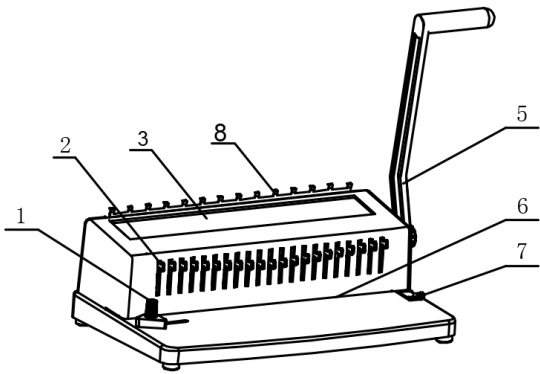
The MM34B is a very quick and easy way to give your documents a professional finish. It is a practical and stylish wire binder that offers flexibility in binding various documents of different sizes up to A4. The unit is supplied with an adjustable margin setting that provides various margin depth options.

Please read these instructions carefully before starting to use the system to ensure you get the best results and are competent at operation.

Should you experience any problems please contact your supplier.

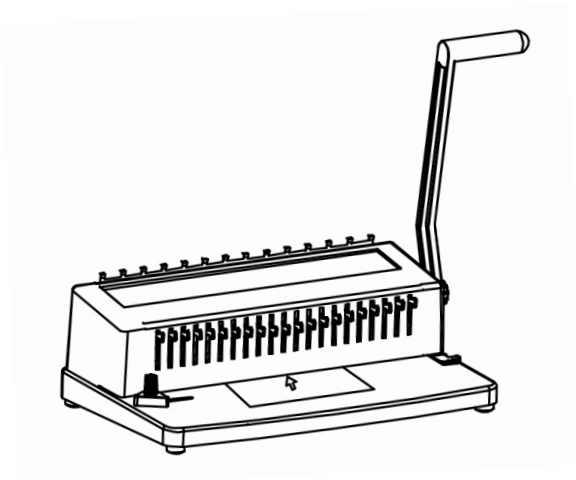


Labelled Diagram

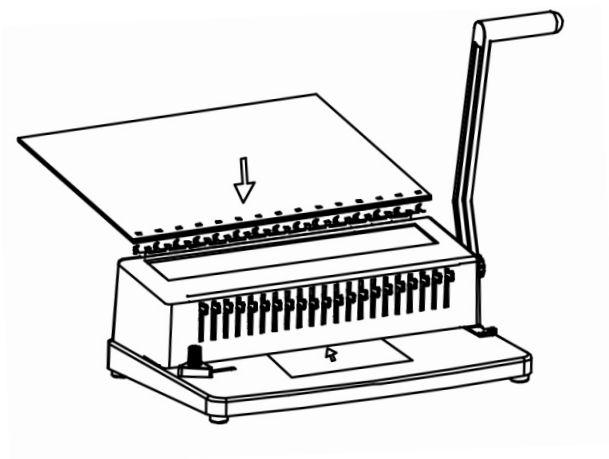


1. Side margin control
2. 34 die disengagement pin
3. Slot for wire closing
4. Adjustable knob
5. Punch & bind handle
6. Paper slot
7. Punch margin control
8. Wire hanger

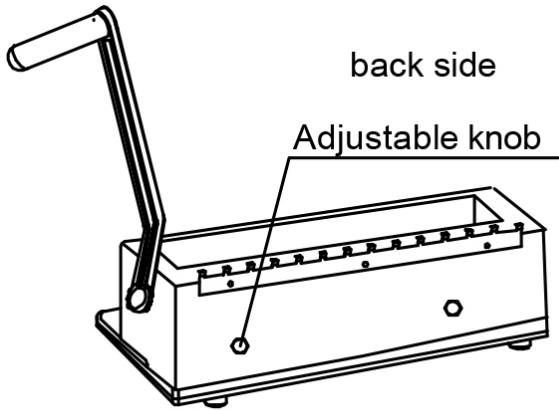
Operation



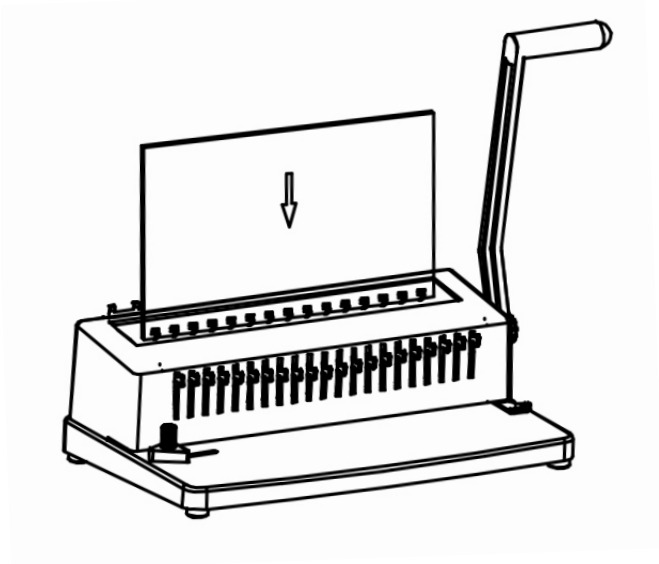
According to your document size, select the paper position and side margin control. Insert the document push the handle down and then release.



Place the wire into the wire hanger. Place the punched sheets onto the wire.



Depending on the size of the wire. Adjust the two adjustable knobs.



Place the wire (with the sheets) into the closing slot vertically. Use the bind handle to close the wire.

Warranty & Incorrect Use

IMPORTANT INFORMATION

Your Magnum Binding System should reach you in perfect condition, however please retain all of the original packaging once you have unpacked your Binding System in case you need to return it for repair. If your system arrives damaged or faulty in anyway, this must be reported to your supplier immediately. If the Binding System is sent back for repair under warranty and is damaged in transit due to faulty packaging your warranty may be void.

The Binding System you have purchased includes a 1 year warranty on defective parts and general wear and tear, it does not cover any damage to the punch blades through misuse or operator error due to incorrect substrates being punched.

E&O.E