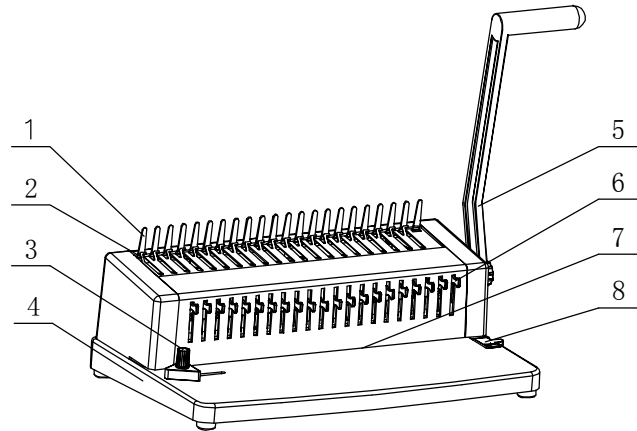
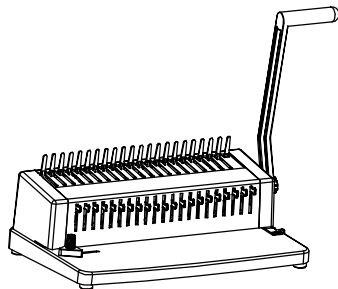


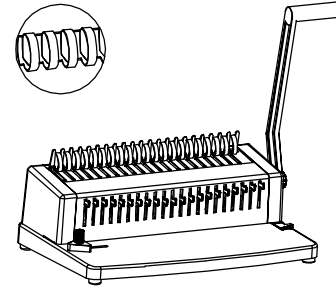
Operation Manual of MM221



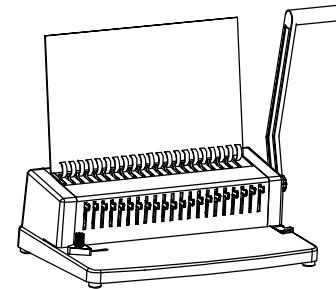
- | | |
|------------------------|-----------------------------|
| 1. Comb | 5. Punch handle |
| 2. Puller | 6. 21 die disengagement pin |
| 3. Side margin control | 7. Paper entrance |
| 4. Base | 8. Punch margin control |



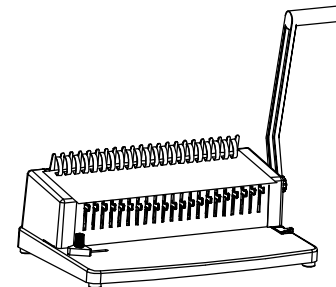
1. According to your sheet format adjust side margin control and insert sheets. Once complete the punching, release the handle.



2. Place the plastic rings to the back of comb opening upwards, push the handle backwards to open the plastic rings.



3. Insert the punched sheets into the plastic ring and the handle back to close the plastic ring.



4. After binding, open the comb and then take out the book.

Technical Guide

Description	comb binding machine
Model	MM221
Punch Thickness	15 sheets 70g
Punch Plastic-cover	2 cover 0.2mm
Machine Dimension	400X239X340mm
Weight	5KG