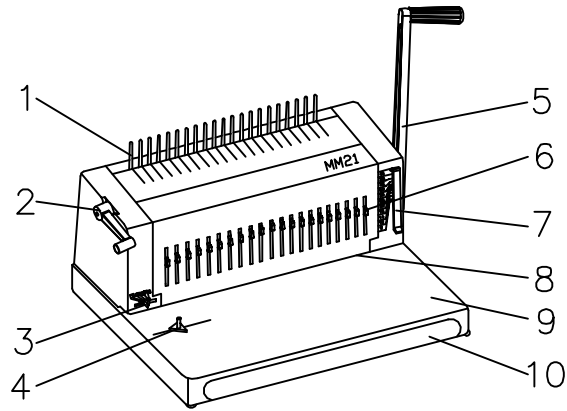
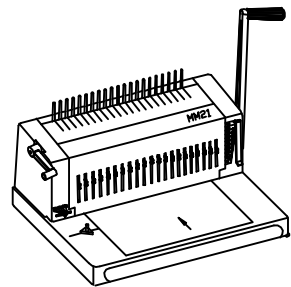


Operation manual of MM21

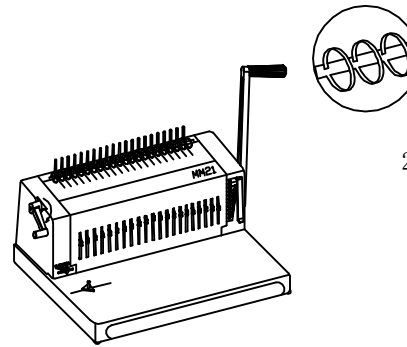


MM21

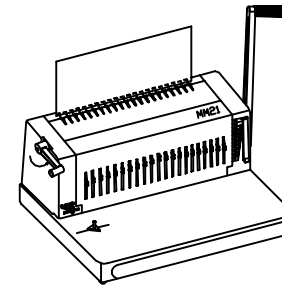
- | | |
|----------------------------|-----------------------------|
| 1. Comb | 6. 21 die disengagement pin |
| 2. Bind handle | 7. Comb size selector |
| 3. Punch margin controller | 8. Paper Entrance |
| 4. Side margin controller | 9. Base |
| 5. punch handle | 10. Waster drawer |



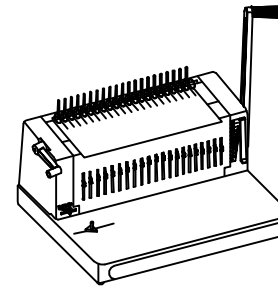
1. According to your files' size, select paper position and side margin controller, insert files, push the handle down and then release it back to its original place.



2. Place the plastic rings to the back of comb opening upwards, push the binding handle backwards to open the plastic ring.



3. Insert the punched sheets into the plastic ring and draw the handle back to close the plastic ring.



4. Open the comb, then take out the book.

Technical Guide

Description	Comb binding machine
Model	MM21
Punch Thickness	25 sheets 70g
Punch plastic-cover	Less than 4 sheets (0.2mm)
Machine Dimension	480X395X425mm
Weight	12.4KG