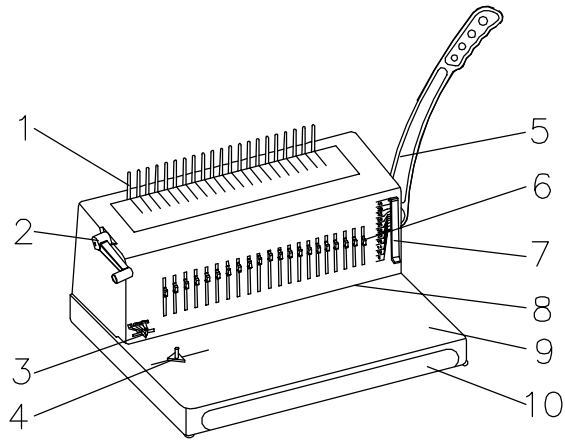
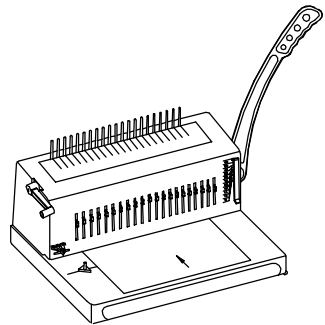


# Operation manual of MM2100

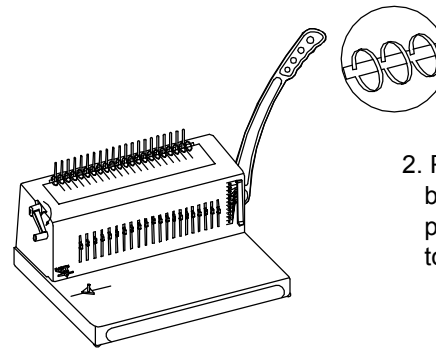


MM2100

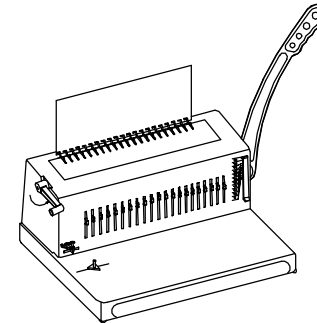
- |                            |                             |
|----------------------------|-----------------------------|
| 1. Comb                    | 6. 21 die disengagement pin |
| 2. Bind handle             | 7. Comb size selector       |
| 3. Punch margin controller | 8. Paper Entrance           |
| 4. Side margin controller  | 9. Base                     |
| 5. punch handle            | 10. Waster drawer           |



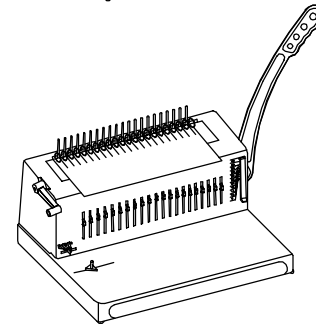
1. According to your files' size, select paper position and side margin controller, insert files, push the handle down and then release it back to its original place.



2. Place the plastic rings to the back of comb opening upwards, push the binding handle backwards to open the plastic rings.



3. Insert the punched sheets into the plastic ring and draw the handle back to close the comb.



4. Open the comb then take out the book.

## Technical Guide

Description	Comb binding machine
Model	MM2100
Punch Thickness	25 sheets 70g
Punch plastic-cover	4 Cover 0.2mm
Machine Dimension	470X395X425mm
Weight	9.8KG