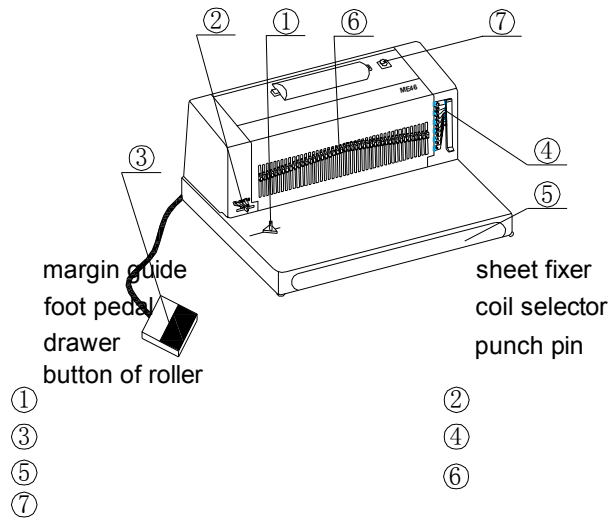
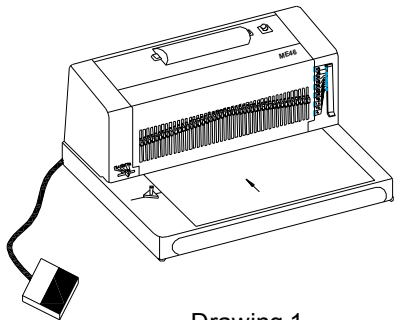


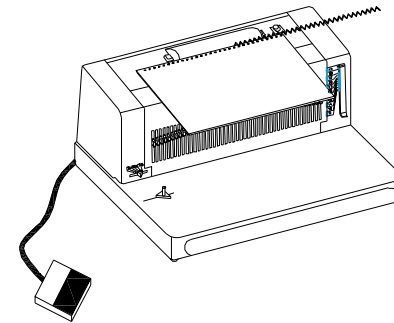
Operation Sketch of ME46



1. Select the sheet fixer to bind according to the document size, Insert the documents. Tread the foot pedal and complete the punch. (See the Drawing 1)



2. Revolve the loop into the book for the first two circles and press the button to get the roller run. Subsequently put the book leaning against the roller, making the roller drive the loop. and get the loop revolved into the book. (See drawing 2)



3. Crimp the coil with the plier, complete the binding.

Warning: To prevent the stiletto from damage, do not punch beyond the punch capacity listed on the technical guide, Also do not punch special stick sheet with this machine.

Technical Guide

Description	ME46
Punch capacity	25 sheets 70g
Punch plastic-cover	Less than 4 sheets(0.2mm)
Machine Dimension	420X400X206mm
Weight	16.5KG
Stiletto cutting capacity	>200,000
Binding width	297mm