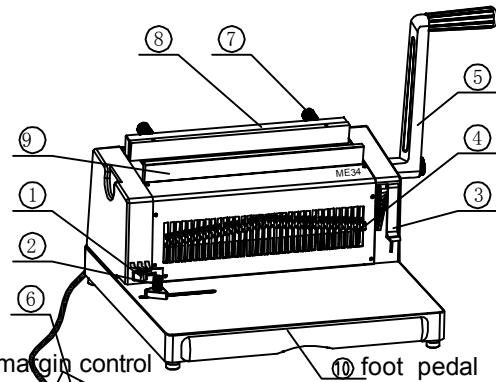


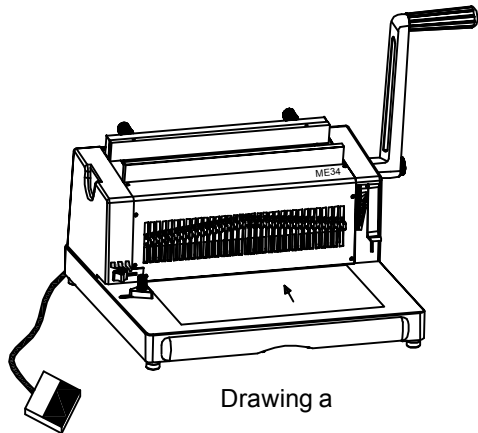
Operation manual of ME34



side margin control
 punch margin control
 double-wire selector
 adjustable knob
 wire closing bar

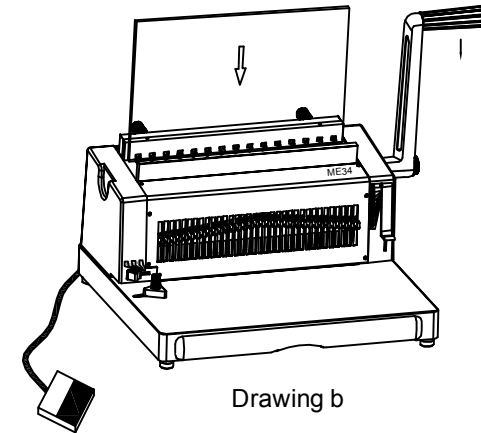
- ① 34 die disengagement pin
- ② bind handle
- ③
- ④
- ⑤
- ⑥ Fixed board for clamping waster darwer
- ⑦
- ⑧
- ⑨
- ⑩

1. Select the punch margin control to bind according to the document size, Insert the documents. Tread the foot pedal and complete the punch. (See the Drawing a)



Drawing a

2. Adjust the two adjustable knobs in terms of the size of the double wire.
3. Use the bind handle to close the double wire to the requested size. (See the Drawing b)



Drawing b

Attention:

To protect the machine for longer lifetime, follows are our suggestion:

1. The best punching capacity is 20 sheets each time.
2. Do not punch adhesives and any adhesive sheets.

Technical Guide

Description	Electric wire binding machine
Model	ME34
Pitch	3:1 (34 holes)
Punch Thickness	25 sheets 70g
Punch plastic-cover	Less than 4 sheets(0.2mm)
Certification	CE ETL
Machine Dimension	480X395X280mm
Weight	20.3KG