

easymount[®]

EM-1600SHW Laminator

Operation Manual

Please read this manual carefully before operation

Contents

Contents-----	1
I . Applications & Characteristics -----	2
II . Figure of the Frame -----	3
III. Figure of Control Panel-----	4
IV. Major Technical Parameters-----	8
V . Safety Points for Attention-----	8
VI. Application Points for Attention-----	10
VII. Removal & Installation of laminators-----	11
VIII. Preparations before Starting-up -----	14
IX. Adjusting the Pressure between Rubber Rollers -----	16
X. Continual Lamination-----	16
X I . Laminating with Sheet Film-----	18
X II . Laminating of Exhibition Boards-----	19
XIII. Common Faults & Settlements of Quality Issues-----	20
X IV. Technical Services-----	22

Special attention

To ensure the safety of the operator and avoid the damage of the electric equipment, check carefully the reliability of the earth wire of the power receptacle before operating the electric cold mounting.

- ★ Please keep this manual for reference in the future.
- ★ Please pay special attention to the paragraphs marked with warning symbols, which is vital to the proper use and maintenance of these laminators and the safety of users as well.
- ★ Please follow the operation instructions and warnings in the manual.

I . Applications & Characteristics of EM-SHW Series

A. Brief introduction to the applications

This machine has a wide application for films, which can adopt sheet film to mount wide pictures individually, or roll film to continuously mount pictures and text or mount long exhibition boards.

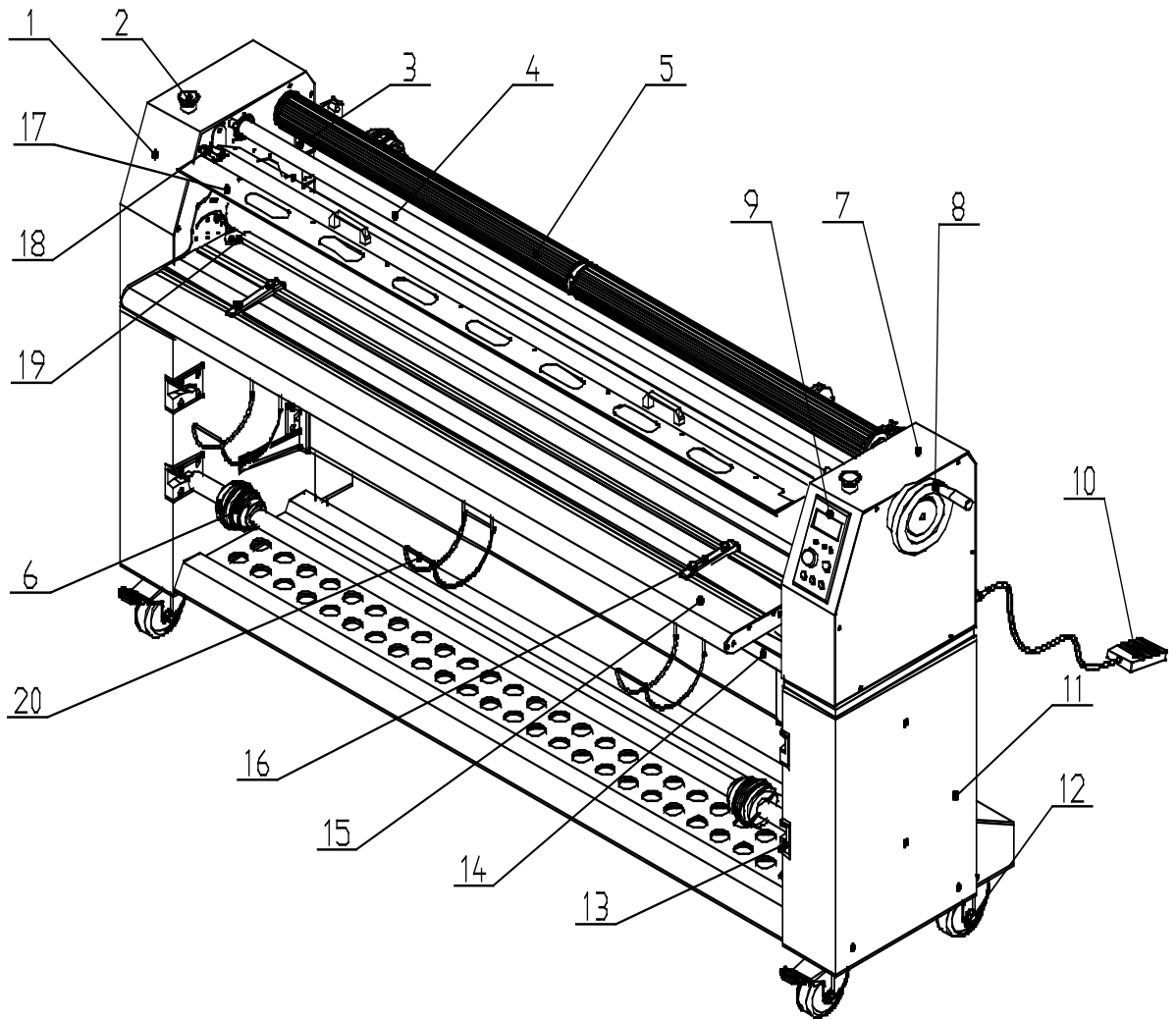
The machine is applicable for various industries and fields, especially in printing, color ink-jetted objects and advertisement, etc.

With proper designs, simple structures and easy operation, quick and effective mounting and laminating can be carried out by workers who have undergone some simple training.

B. Characteristics of the machine:

1. In a motor driving mode, the speed is continuous and adjustable.
2. The elevating and descending and pressure-adjusting of the rubber rollers adopt the inter-action transmission structures, which are simple and easy.
3. Equipped with photo-electric eyes and pedal switch, the operation is safe and reliable.

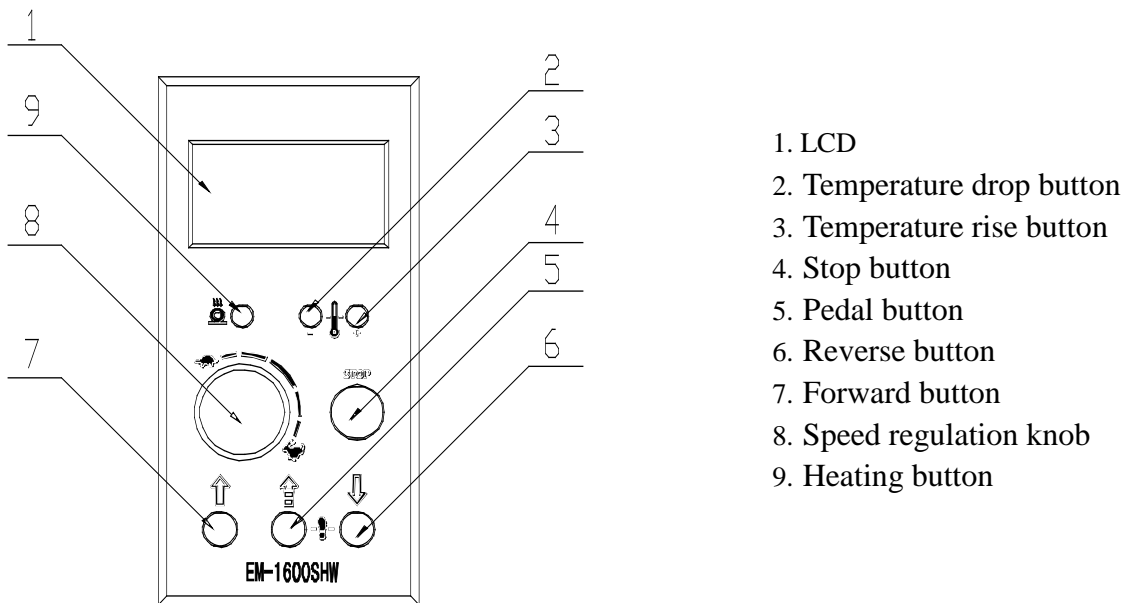
II. Figure of the Frame of EM-1600SHW



1. Left cabinet 2. Emergency stop switch 3. Joining-plate of mandrel
 4. Pressure-adjusting linkage axle 5. Backing paper roller 6. Mandrel
 7. Right cabinet 8. Pressure-adjusting hand-wheel 9. Control panel
 10. Pedal switch 11. Stand 12. Foot wheel 13. Support of mandrel
 14. Supporting beam 15. Front working panel 16. Positioning plate
 17. Positioning nail of the front guard shield 18. Top orientation bolt
 19. pressure bar 20. Media support bracket

(Figure 1)

III. Figure of the control panel



(Figure 2)

Instruction for EM-1600SHW Operating Panel

1. The power mains are off with no display on the screen.
2. The power mains are on to display the start-up picture.
3. This start-up picture has to last for 10s and after that, it changes to the ready state where the state of last operation is displayed.
4. The startup of the machine is always in “Stop” mode and the “Stop” mode lamp lights in red.
5. The blue LCD settings are stored in the memory including settings of temperature, heating/cold mounting and language selection, and sound modulation of buzzer.
6. Setting of rubber roll heating. After startup, the machine is in cold mounting state with both the top and bottom rubber rolls in cold mounting state. Press the heating button on the control panel and the heating of top rubber roll is displayed; a second press displays simultaneous heating of the top and bottom rubber rolls; a third press changes the top rubber roll to cold mounting state and the separate heating of the bottom rubber roll; and another press leads the top

and bottom rubber rolls to return to cold mounting state. Note that in cold mounting state, the actual temperature displayed is that of the top rubber roll.

7. Lowering temperature by slow regulation: Each press of the temperature-lowering button decreases the temperature by 1°C. Each setting of temperature is stored in the memory. The latest setting parameter overwrites the previous one.
8. Raising temperature by slow regulation: Each press of the temperature-raising button increases the temperature by 1°C. Each setting of temperature is stored in the memory. The latest setting parameter overwrites the previous one.
9. Lowering temperature by fast regulation: Hold down the temperature-lowering button for 3s and the temperature decreases at an average rate of 5°C, and the release switch stops regulation. Each setting of temperature is stored in the memory. The latest setting parameter overwrites the previous one.
10. Raising temperature by fast regulation: Hold down the temperature-raising button for 3s and the temperature increases at an average rate of 5°C, and the release switch stops regulation. Each setting of temperature is stored in the memory. The latest setting parameter overwrites the previous one.
11. Stop/forward/stop function: When the machine is in stop state (the stop button lamp lights in red), press the forward button and the machine rotates forwardly, the screen displays the forward icon, and now, the stop button lamp is out and the forward button lamp lights in blue; and when the machine is in forward state, press the stop button and the rubber roll stops turning, the screen returns to stop state, and now, the stop button lamp is on in red and the forward button lamp goes out.
12. Stop/foot pedal/stop function: When the machine is in stop state (the stop button lamp lights in red), press the foot pedal button and the screen displays the icon for foot pedal mode, and now, the stop button lamp is out and the foot pedal button lamp lights in blue; and in the state of foot pedal button state, press the stop button and the rubber roll stop turning, the screen returns to the

stop state, and now, the stop button lamp is on in red. Note that in foot pedal mode, the machine runs only by stepping on the foot pedal.

13. Stop/Reverse/stop function: When the machine is in stop state (the stop button lamp lights in red), press the reverse button and the machine is in reverse crawl state, the screen displays the icon for reverse mode, and now, the stop button lamp is out and the reverse button lamp lights in blue, and note that in foot pedal mode, the machine runs only by stepping on the foot pedal; and when the machine is in reverse state, press the stop button and the rubber roll stops turning, the screen returns to stop state, and now, the stop button lamp is on in red and the reverse button lamp goes out.
14. Stop/foot pedal/forward function: When the machine is in stop state (the stop button lamp lights in red), press the foot pedal button and keep stepping on the foot pedal, and the screen displays the icon for foot pedal mode, and now, the forward button lamp is out and only the foot pedal button lamp lights in blue; now, press the forward button and keep stepping on the foot pedal, and the screen displays the icon for continuous foot pedal state, and now, both the foot pedal and forward button lamps light in blue; and in this state, release the foot pedal and the screen displays the continuous forward state, the foot pedal button lamp goes out and only the forward button lamp lights.
15. Acceleration at slow regulation: slowly turn the speed-regulating knob clockwise and the speed steps up at 0.1m/min.
16. Deceleration at slow regulation: slowly turn the speed-regulating knob counterclockwise and the speed steps down at 0.1m/min.
17. Acceleration at fast regulation: fast turn the speed-regulating knob clockwise and the speed steps up at 0.3m/min.
18. Deceleration at fast regulation: fast turn the speed-regulating knob counterclockwise and the speed steps down at 0.3m/min.
19. Stopping machine with speed knob: When the machine runs, the stop button lamp is out, the forward button lamp lights, and the screen displays continuous forward rotation and relevant speed. When the speed knob is fast

turned counterclockwise and the speed adjusted to 0, the screen displays the speed of 0.0, the machine stops, the state is continuous forward rotation, and now, the forward button lamp lights. Note that when the machine is in forward/foot pedal/reverse state, speed can be stepped up by turning the speed knob clockwise.

20. Stopping machine with stop button: When the machine is in forward mode, press the stop button and the speed on the screen displays stop for “——” mode, and the stop button lamp lights in red. In forward/foot pedal/reverse mode, pressing the stop button always resets the speed to “——”, and the stop button appears in red.
21. Switching between forward and reverse: For a reverse operation in forward mode, press the stop button before switching to reverse mode. In the foot pedal mode, simply press the forward button without the necessity for pressing the stop button.
22. Change of language setting: In stop mode, hold down the stop button for 10 seconds, open the language selection field, and select language with ←/→ keys. When the language is selected, press the stop button and store the selected language, and the language on the screen is changed to the selected language. The selected language is always stored in the memory, and will be shown at startup.
23. Change of sound volume: In stop mode, hold down the stop button for 10 seconds, and open the language selection field. Now, step on the foot pedal and the screen interface changes to the volume regulating field for sound. Now, adjust the sound levels (volume) by using the ←/→ keys. When the volume of sound is properly adjusted, press the stop button again and store the set sound. The set sound is always stored in the memory, and the sound at the next startup will be the last setting.
24. Additional information displayed:
 - (1) Flickering temperature image: When the actual temperature of rubber roll is beyond 10°C of the set temperature of rubber roll, the

temperature image flickers; and when the actual temperature of rubber roll is within 10°C of the set temperature of rubber roll, the temperature image stops flickering.

(2) Flickering magic eye image:

① When the machine is in foot pedal mode, the magic eye image flickers intermittently.


② When the photoelectric eye is blocked, the buzzer gives long buzz and the magic eye image flickers at the same time.


IV. Major Technical Parameters

Major technical parameters \ Model	EM-1600SHW
Max laminating width	1600mm
Max laminating thickness	25mm
Temperature of rubber roller	30~130°C
The highest line speed	0.5~3.2m/min.
The rated working voltage/frequency	230V/50Hz
Single roller's pre-heat-up time	40minutes
The input power of single roller heat-up	2500W
The input power of double roller heat-up	5000W

Warning: Please pay attention to the rated voltage of the machine, and do not use the wrong power and voltage!

V. Safety Points for Attention

-  Please ensure that the voltages of power supply you are using match the rated working voltages before operation. Please use the power supply matching the rated voltage. Do not use an incorrect power supply.
- The power supply source should be close to the machine for convenient use.
- The power supply should have a reliable earth wire.

-  This machine must have reliable earth wire so as to ensure the safety of the machine during operations.
- No other person should touch the motor or other rotating parts except the operator of

this machine.

- Please don't use damaged wires or sockets.
- If abnormal conditions occur, please switch off the power supply first.
- When putting the film, picture and text or guide paper in between the two rubber rollers, please operate at a lower speed with 'Intermittent' or the pedal switch.
- Keep rigid objects away from the surfaces of rubber rollers during operation, otherwise the surface of rubber rollers can be damaged or other mechanical faults may be caused, which will affect the quality of lamination.
- Please don't touch the power plugs or operate the machine with wet hands, otherwise you could get an electric shock.



- The machines have a heat-up system. So please don't touch the roller's surface as your skin could burn.
- Please keep children away from the machine. Never let them run the machine.
- Please do not spray water or other liquids on the machine, in case of electric shocks or machine failure.
- Please do not replace power cord or plugs by yourselves. Do not put heavy objects on the power lines. Or you could get an electric shock or a fire could be caused.
- Don't leave the machine unattended during operation



- During the operation, please take care that no clothes, neckties, hair, necklaces and cuffs will be rolled into the machine, in case of injuries, surface damage of the rubber rollers or other damage may be caused.
- During the laminating operation, please don't put anything but laminating materials on the working panels and the cabinets on the two sides so as to avoid accidents, which will cause damage to the surface of rubber rollers or to the machine.



- This machine can't mount metal materials or other hard objects. Please don't put burrs, sharp blades or over-thick rigid materials in between the two rubber rollers. (such as tools, rulers and knives, etc.)



- When you lift up the front working table, don't forget to insert the top orientation bolt.
- Don't cut adhesive films directly on the surface of rubber rollers to avoid damage to the rollers.

- Please shut down the machine after laminating to avoid misuse of this machine by others.



- When you need to move the machine, please switch off the power supply, and pull out the plugs. If the power supply is damaged, it is quite possible to cause fires or electric leakage.
- Please take care of the locations of casters while moving or operating this machine, to avoid injuries to your feet.
- When faults occur, non-professional persons should not dismantle the machine for repairs. Ask for help from professionals or the local distributors. Any dismantling or repairing by persons without our authorization, will affect warranty.



- Before repairing the mechanical or electric faults, you should switch off the power supply and don't operate or maintain this machine with power on.



- Please switch off the power supply (or pull out the power plugs) when the machine is not in use for a long time.
- When the machine lies idle for a long period of time, please lift up the top rubber roller to avoid distortion of the rubber surface due to high pressure.
- Please don't use corrosive liquids to wipe the case of the machine when cleaning it, otherwise the machine frame and rubber rollers will be damaged. You can use soft dry cloth to clean the enclosures and wipe the surfaces of rubber rollers with alcohol in higher purities.
- Please don't use the machine for other purposes than lamination, otherwise damage to the machine or accidents may occur.

VI. Application Points for attention

- Environment requirements:

Ambient temperature: 10°C—40°C

Humidity: 40%—70%; Ideal humidity: 55%

Dusts: Due to the static adherence of the films, you should try to keep the environment clean.

Warning: Please do not keep the machine in direct sunlight.

Please do not keep the machine in dusty place or places with strong vibrations.

Please do not keep the machine in the dark or on slopes.

- Operating spaces: Applicable and enough space is needed to ensure safe and effective applications. The minimum area covered is 2.5m x 3m.

- Do not put burrs, sharp knives or extra thick and hard materials in between the rollers. Do not leave objects like tools, rulers, knives, etc on the working panels and the cabinets on both sides to avoid their being rolled into the machine accidentally and damaging the rollers.
- For repairs and replacements, please contact with your local distributors. Unauthorized repairs and dismantling will affect future maintenances of the machine.

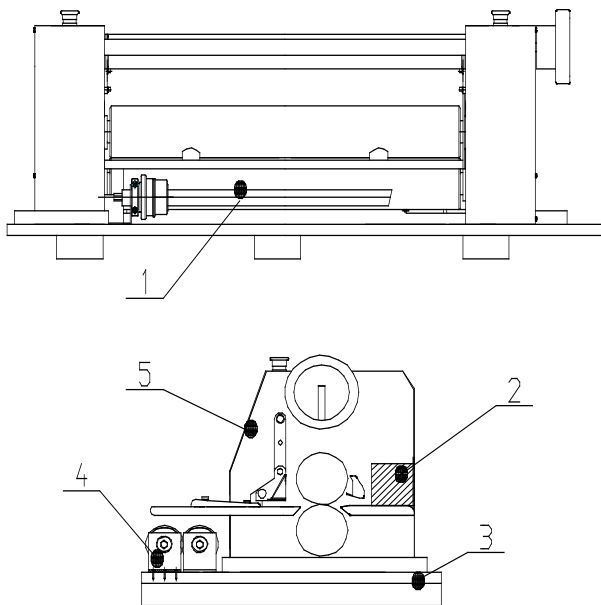
VII. Removal and Installation of the Laminators

- Taking out the machines (See Figure 3)

- 1) Take off the plastic cover, take out the accessory box and the guard shield.
- 2) Pull up the front working table and lock it.
- 3) Take out the machine from the bottom of the crate.



Heavy! Handle with care!!



1. Mandrel
2. Accessory box
3. Bottom of the crate
4. Fixing support
5. Frame

(Figure 3)

- Installation of the machine

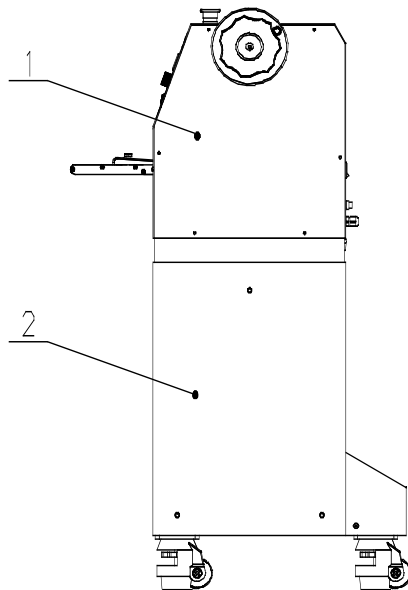
1) Install the machine on its stand (See Figure 4),

Warning: *When moving the machine, you should have your hands holding on the upper supporting beam and the rear-supporting beam, but holding-on the pressure-adjusting hand-wheel is forbidden!*

2) Fix the pedal switch on the machine.

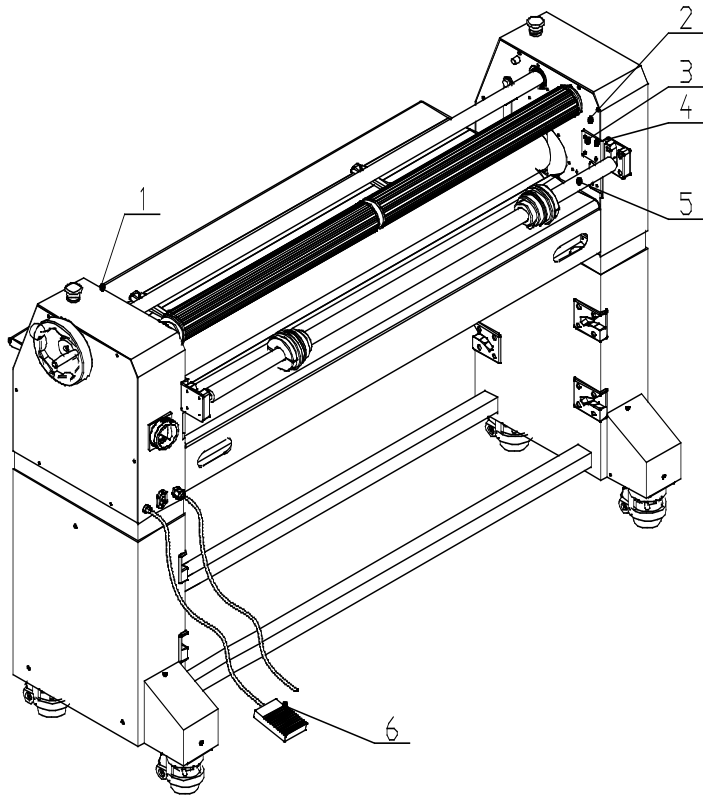
3) Fix the four supports of the material rollers on the left and right boards of the supporting racks with the socket hex bolts (See Figure 5).

4) Put the mandrel onto their brackets.



1. Frame 2. Stand

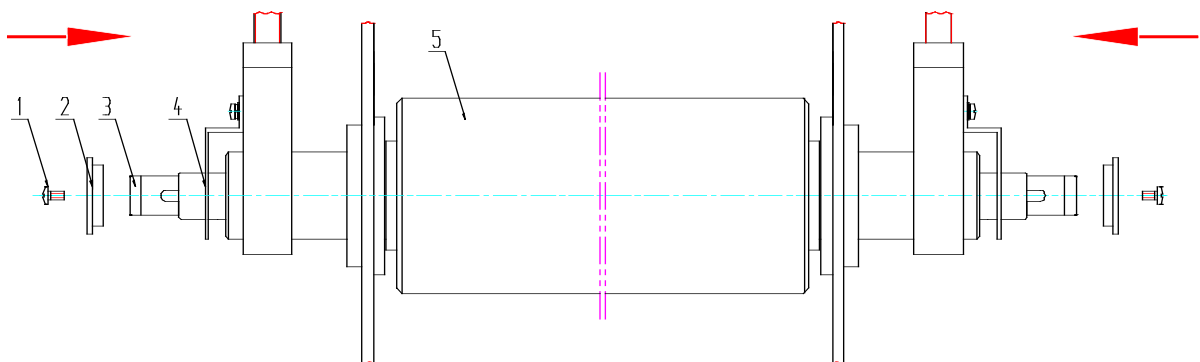
(Figure 4)



- 1) Left support plate 2) Right support plate 3) Mandrel brace
 4) Fastening screw and washer 5) Mandrel 6) Pedal switch

(Figure 5)

● How to install the quartz tube (See Figure below)



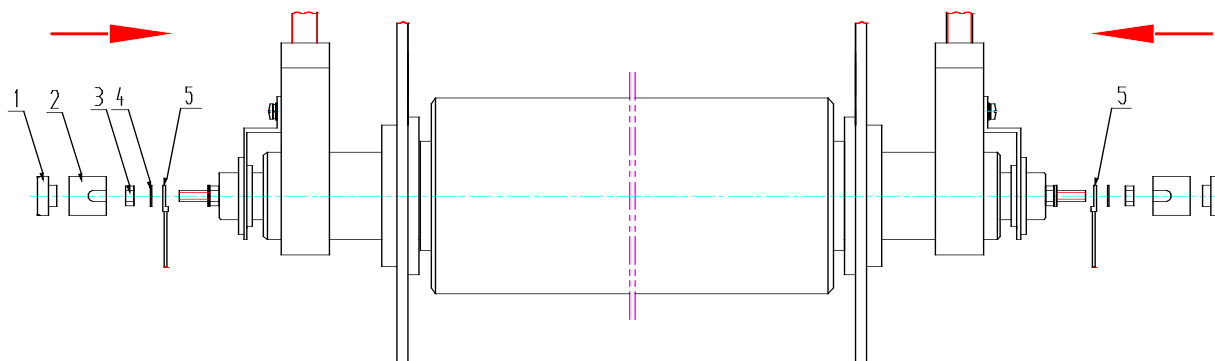
- 1) screw 2) rubber washer 3) Top quartz tube 4) Bracket 5) Top roller

Step One How to install the quartz tube

- A. Remove the right and left caps;
- B. Take down the rubber washers;
- C. Put the quartz tube through the core of the roller, then put the washers back and fasten them with the screws (as shown in the Figure);

Attention! Please don't install the quartz tube with the power on.

1) Porcelain inserter 2) Porcelain tube 3) Hex bolt 4) Flat washer 5) Electric cord



Step Two How to install the electric cord

- A. After the quartz tube is installed, remove the porcelain inserter, the porcelain tube, the hex bolt and the flat washer from its two ends;
- B. Put the cord rings onto the two ends;
- C. Fix the inserter, the tube, the hex bolt and the washer back.

And the installation of the quartz tube of the bottom roller is in the same steps.

VIII. Preparations before Start-up

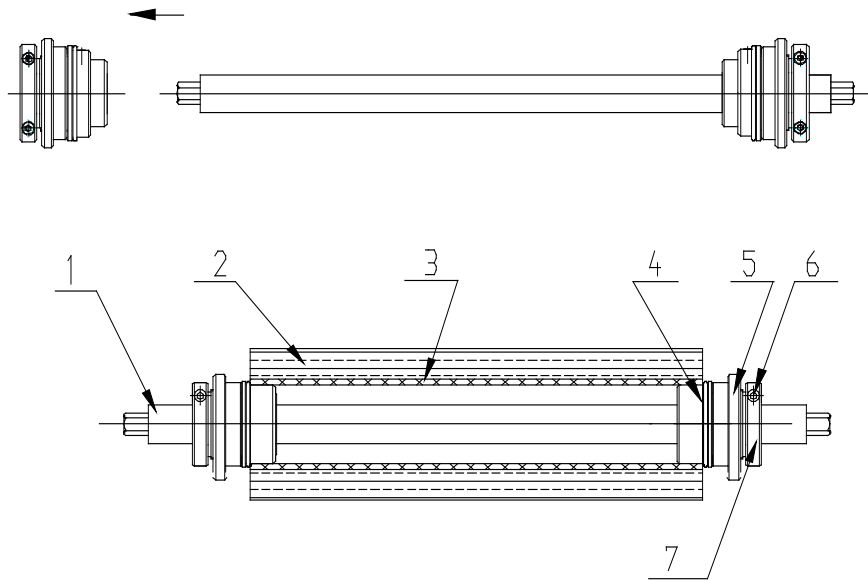
Select the films a little narrower than the picture and text (the picture and text should have margins on all sides), and if there are no margins for cutting, lining paper should be applied on the back (or at least on both sides of the picture and text), and the lining paper should be wider than the film.

● Installations of film rolls and paper rolls:

Loosen the fastening screws on the positioning sleeve of mandrels, and take down the supporting sleeve (part) of the mandrel on the one side

1. Put the film rolls on through the mandrel.
2. Put the removed positioning sleeve on through one end of film roll's paper core.
3. Adjust the distances between the supports of the two mandrels according to the practical width of consuming materials to make the film in the middle of the mandrel.
4. Fasten the screws for positioning sleeve of material rollers (Note: there should be 3~5mm clearance between the positioning and the adjusting sleeves of material rollers to make transverse adjustment easier).

- Adjust the friction forces by turning the adjusting sleeve of the material rollers (Note: the friction forces should not be too big). (Please refer to the figure 6)

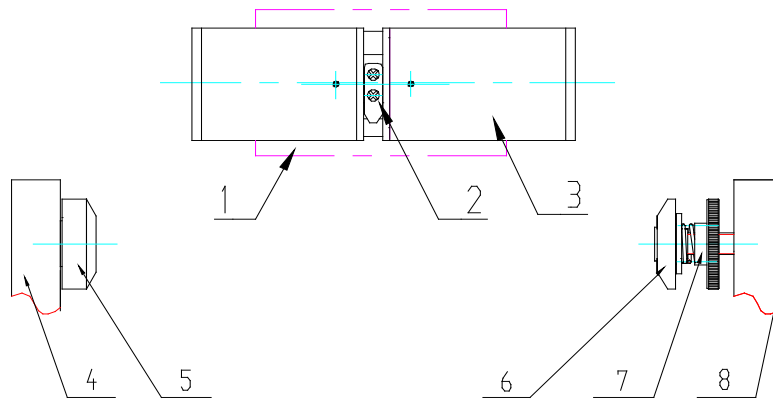


- Axle of mandrel
- Cold laminating film (lining paper)
- Paper tube
- Positioning sleeve for material rollers
- Adjusting sleeve
- Fastening screws for the positioning sleeve
- Positioning sleeve

(Figure 6)

- Installation and Adjustment of Backing Paper Roller (Refer to figure 7)
 - Turn pressure-adjusting nuts towards the right cabinet, the backing paper axle can be taken down from the machine, and a left turning can help fix it on.
 - Fix the paper tube onto the axle by turning it according to the indication of the figure. Then install the axle onto the machine following (Step1). (Note: Pay attention to the directions, or application will be affected.)
 - The axle of backing paper roller is driven by friction. The friction and torsion will be increased with a left turn of the pressure-adjusting nut, and a right turn will decrease them.

Note: whether the friction is big or small will depend on whether the backing paper can enter the rollers evenly. Better not too big.



- 1) Paper tube 2) Damp teeth 3) Roller of backing paper 4) Left cabinet 5) Positioning sleeve
6) Positioning sleeve 7) Pressure-adjusting nut 8) Right cabinet

(Figure 7)

- Cold laminating: When cold laminating, just turn the switches of the top and bottom rollers to 'Cold'.
- Hot laminating: When hot laminating, turn the switch of the top roller to 'Hot' and then set the needed temperature. When the indication light is on, the roller is ready for work. (Please note: the temperature should meet the material to be used. If it is too high, the lamination quality will be affected.)
- The temperature displayed shows the surface temperature of the roller. The temperature the switch is pointing to, is the one you have set. And the actual temperature should be the one shown on LCD.

IX. Adjustment of Pressure between the Rubber Rollers

When the pressure-adjusting hand-wheel is turned clockwise, the top rubber roller comes down and the pressure will increase, and with a counter-clock turn the top rubber roller goes up and the pressure will decrease.

When you open or close the folded hand-wheel, please pull the handgrip out a little more first. Don't force a turning to avoid possible damage.

X. Continuous Lamination

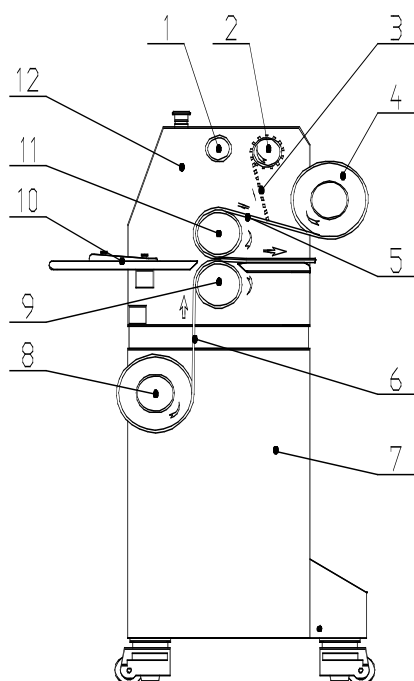
1. Adjusting the tension on the surface of roll materials:

After putting the mandrels into the supports, pull the film or the lining paper with hands. Make sure there should be a proper resistance. When putting the rolls in, the material to be laminated should be evenly tightened. If the requirements can't be met, the pressure can be adjusted with the pressure-adjusting hand-wheel.

2. Feeding Films

Turn the pressure-adjusting hand-wheel to lift up the top rubber roller and pass the film through the two rollers. (If needed, enter the lining paper at the same time) and lay them on the rear working panel.

Pull the film and the lining paper softly till they become plain. Turn the pressure-adjust hand-wheel to let the top roller down. For 1600 model, in order to secure the lamination quality, special treatment has been done on the roller, and the steps to adjust the pressure during operation are: lower the top roller and let it touch the bottom roller; turn the hand-wheel until there is no gap between the two rollers; then turn it further on (adding pressure) to 10 - 40 degrees for films 1520mm and 1270mm wide, but 10 - 60 degrees for the film 914mm wide.



- 1) Pressure-adjusting shaft
- 2) Backing paper roller
- 3) Backing paper
- 4) Cold laminating film
- 5) Film
- 6) Lining film
- 7) Stand
- 8) Lining paper roller
- 9) Bottom roller
- 10) Front working table
- 11) Top roller
- 12) Frame

(Figure8)

3. Separation of the backing paper:

Cut to separate the film from the backing paper at an appropriate place, and pull up the backing paper along the upper cutting line, and tape it plainly on the backing paper roller, while the backing paper beneath lies flatly on the front working panel.

Note: After being separated, the film should be plain, wrinkleless and tightly stuck on the surface of the rubber roller.

4. Tape the picture and text (or the guiding paper) plainly on the backing paper roller.

Note: the front edge and the two sides of the picture and text (or guiding paper) should be parallel and vertical with the rubber rollers to prevent skewness during lamination.

5. Use the pedal switch to feed the picture and text (or guiding paper) in between the rubber rollers.

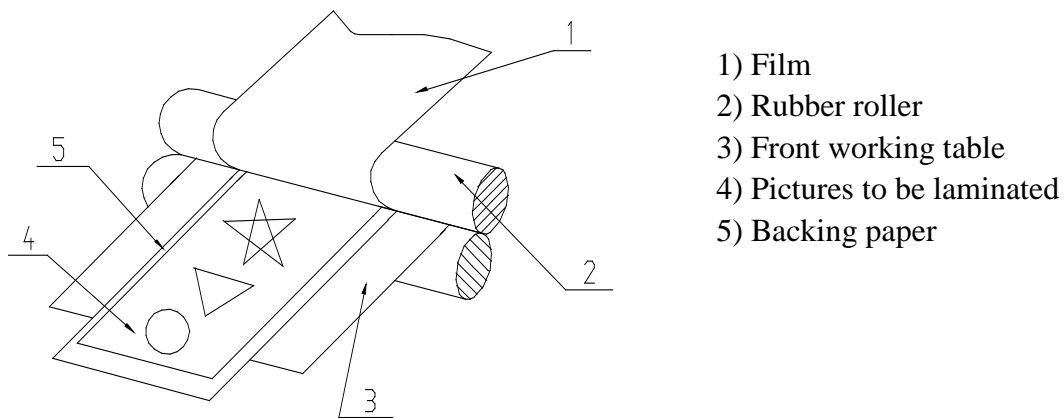
Note: If the film (or lining paper) is not tight enough, turn the pressure-adjusting hand-wheel to increase the friction. If drapes appear on the surface of the film, adjust the supporting sleeves on both sides of the mandrel to equalize the tension.

6. Start the continuous laminating button to complete the whole process.

Note: If the film comes out with obvious drapes, stop the machine, and cut off the film.

For re-feeding the film, just repeat the steps 1 -- 6.

XI. Laminating with Sheet Film



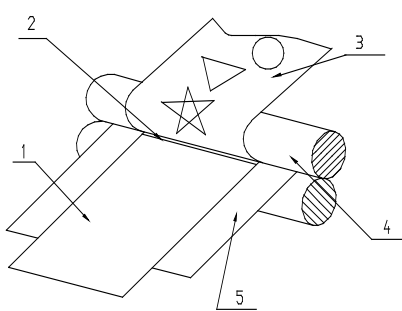
(Figure 9)

1. Lift up the top rubber roller, and pass the film through between the two rollers and lay it on the rear working panel.
2. Lower the roller, and get the thread gap of the pressure-adjusting hand-wheel to zero.
3. Separate the film from the backing paper and pull it back toward the back of the top rubber roller, and lay it flatly on the rear working panel, while the backing paper lies on the front working panel.
4. Make sure the picture and text are straight, and put them plainly against the separating line between the backing paper and the film along the front working panel.
5. Start the rubber rollers, and complete the laminating process.

Note: The widths of the picture and text should be smaller than those of the films, with the margin on each side no smaller than 5mm, and the length should meet the laminating requirements.

XII. Laminating of Exhibition Boards

- The laminations of the exhibition boards with adhesive surfaces

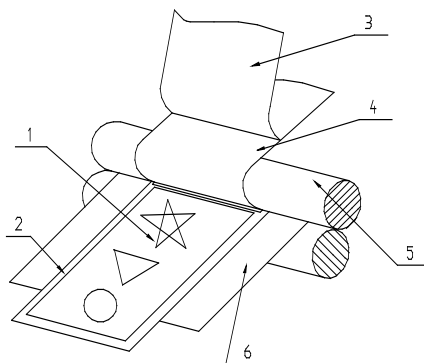


- 1) Exhibition board
- 2) Backing paper on the exhibition board
- 3) The laminated (or to-be-laminated) picture and text
- 4) Rubber roller
- 5) Front working panel

1. Stick the front edge with the board plainly together.
2. Lift up the top roller, and insert the film and the exhibition board in between the two rollers.
3. Cut and tear off the backing paper at the place 50mm down the top of the board.
4. Tear off the backing paper of the board.
5. Start the rollers, and complete the laminating process.

Note: *The exhibition board should be a little smaller than the picture and text to prevent the adhesive side of the board from sticking onto the rubber roller.*

- The laminating of the exhibition boards without adhesive side



- 1) Exhibition board
- 2) Picture and text to be laminated
- 3) Backing paper of cold film
- 4) Cold film
- 5) Rubber roller
- 6) Front working panel

(Figure 11)

1. Cut and tear off the backing paper at the place 50mm down the top of the film.
2. Stick the board with the film together smoothly.
3. Lift up the top roller, and insert the film and the exhibition board in between the two rollers.
4. Lower the rubber rollers and adjust their pressure.
5. Pull up the backing paper flatly towards the back of the top roller and put it on the rear working penal.
6. Put the picture and text plainly on the exhibition board.
7. Start the rollers, and complete the laminating process.

Note: The exhibition board should be a little wider than the film.

XIII. Common Faults & Settlements of Quality Problems

1. Checking Methods and Adjusting of Pressure Balance of the Rubber Rollers:

Note: The adjustment of the space between the two rubber rollers is completed in operation state. But in non-operation state, the asymmetry of the space between the two rollers is produced by the screw threads, which does not affect the normal use.

If the quality of the laminating is affected, please check and adjust in the following steps.

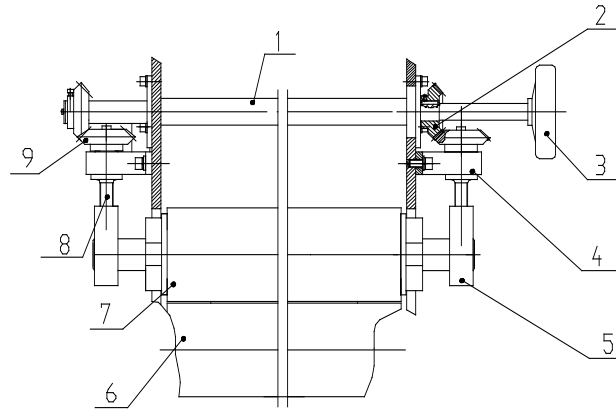
- A. Checking Steps & Adjusting Methods:

- Open the left and the right cabinet covers;
- Check whether the left or right pressure-adjusting brackets are loose or not. If loose, please adjust the pressure-adjusting brackets and then fasten them;
- Check whether the longitudinal taper gears on the two sides are loose or not. If the left gear is loose, please take apart the left transverse taper gear and then remove the screws of pressure-adjust brackets, then tilt the longitudinal taper gear, and fasten the screws on the top of the gear with a spanner, then fix all the components back to where they were. If the right taper gear is loose, there is no need to dismantle the right transverse taper gears, the other steps are the same as for the left.

- B. Adjusting methods of the space between the two rubber rollers:

- Put the photo-printing paper with proper length in between the two rollers. Turn the pressure-adjusting hand-wheel to make the top rubber roller meet with the cold film. Apply some pressure and check to see if the space in between the rubber rollers is even or not.

- If the space is uneven, please remove the left transverse taper gear; turn the longitudinal taper gear until the space of the two sides of rubber rollers becomes even.
- Fix the left transverse taper gear and the flapper, fasten all the screws.



- 1) Linkage axle 2) Transverse taper gear 3) Pressure-adjusting hand-wheel
 4) Pressure-adjusting bracket 5) Pressure-adjusting blocks 6) Bottom rubber Roller
 7) Top rubber roller 8) Pressure-adjusting orientation axle 9) Longitudinal taper gear

(Figure 12)

2. Before sending the machine for repairs, please solve the problems, if there are any, in the ways in the table below:

Problems	Causes	Settlements
Rubber rollers refuse to turn	<ul style="list-style-type: none"> • No power supply • Safety tubes blow • Pressure of rubber rollers is too big • The friction on the mandrel is too big • The flat keys on the motor fall off • Failures of the motor 	<ul style="list-style-type: none"> • Connecting with the power supply • Replace the safety tubes • Reduce the pressure of the rubber rollers • Reduce the friction • Fix the flat keys again • Change the electric motor
The laminated objects are faint with white points	<ul style="list-style-type: none"> • The pressure of the rubber roller is not enough. • There is dust on the surface of the laminated object. • Low quality film 	<ul style="list-style-type: none"> • Increase the pressure • Clean the surface • Change the film
Drapes and air bubbles	<ul style="list-style-type: none"> • The pressure from the two sides is too big 	<ul style="list-style-type: none"> • Appropriately reduce pressure
The adhesive film clearly declines to one side during lamination	<ul style="list-style-type: none"> • The pressure from two sides is not even • The surface tension on the two sides is different when the film is fed in 	<ul style="list-style-type: none"> • Adjust the pressure on both sides (as for methods of adjustment, please refer to “Checking Methods and Adjusting the Pressure Balance of the Rubber Rollers”) • Adjust the tension or feed film again
The quality of the two sides is not the same	<ul style="list-style-type: none"> • The pressure from the two sides is not even 	<ul style="list-style-type: none"> • Adjust the pressure from the two sides (referring to the “Checking Methods and Adjusting the Pressure Balance of the Rubber Rollers”)
The film roll gets loose during operation	<ul style="list-style-type: none"> • The friction on mandrel is too small 	<ul style="list-style-type: none"> • Increase the friction
Backing paper gets loose when being rolled up	<ul style="list-style-type: none"> • The friction on the backing paper roller is too small 	<ul style="list-style-type: none"> • Increase the friction on the backing paper roller

XIV. Technical Services

As our customers, you can get our best technical service and support. Whenever you need our help, you can contact us .

The contents of this manual are subject to modifications without prior notice.

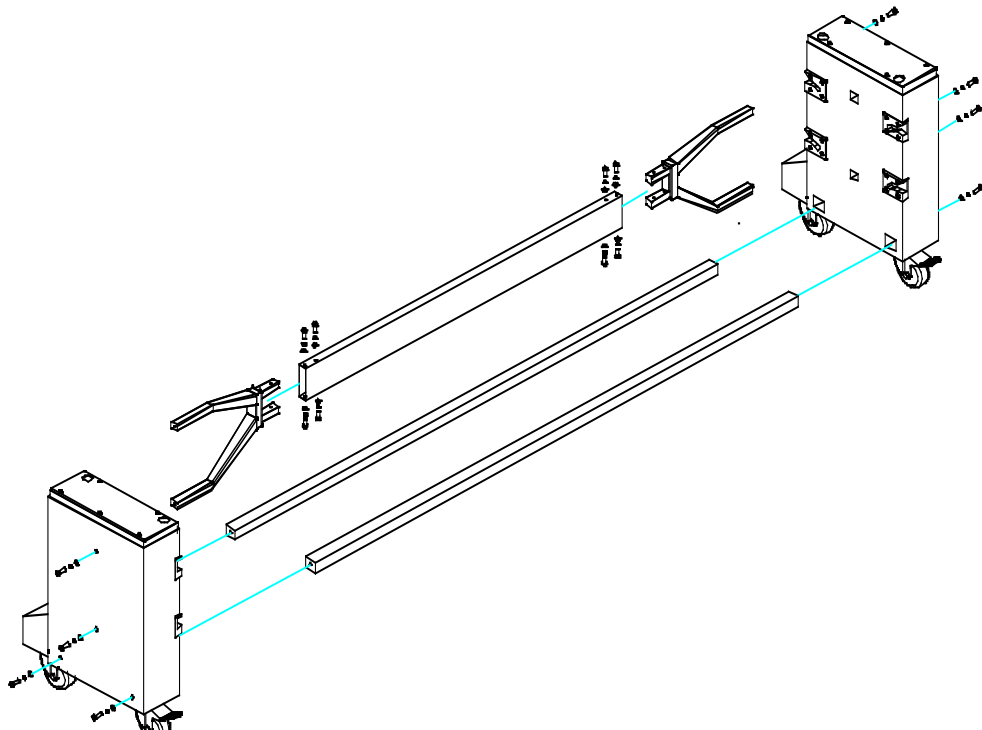
Packing List of EM-1600SHW Main Machine

Name	Quantity	Remark
Main machine	1set	
Material roller	2	Assembly
Paper mounting roller	1	Installed on main machine
Dust-proof cover	1	
Front guard shield	1	
Pedal switch	1	
Hexagon socket cap head spanner	1	S=2.5
Hexagon socket cap head spanner	1	S=3
Hexagon socket cap head spanner	1	S=6
T-spanner	1	
level bar	1	
Operator's manual	1	
Paper knife	1	

EM-1600SHW Packing List

Name	Quantity	Remark
Brace crossbeam	3	
The Support of frame	2	Comprise the truckle
Hexagon socket cap head spanner	1	S=5
Joint frame of upper supporting beam of the stander	2	
M8×20 Socket head cap fastening screw	6	
φ 8 Plain washers	6	
φ 8 Spring washers	6	
M5×12 Socket head cap fastening screw	8	
φ 5 Plain washers	8	
φ 5 Spring washers	8	

Please refer to machine install upright sketch map in machine install.



Machine install upright sketch map